

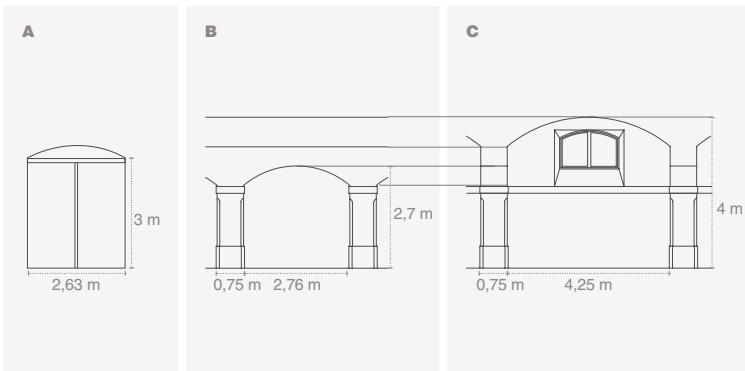
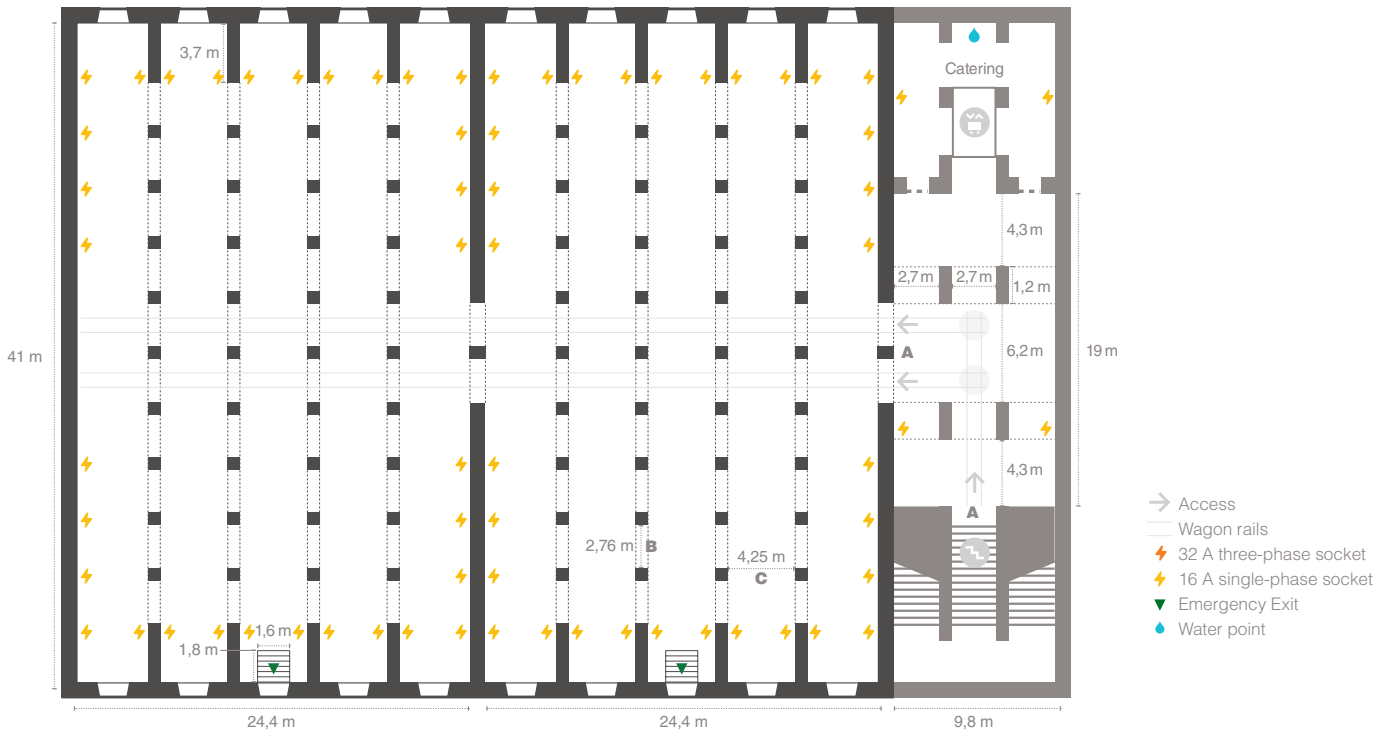
# West Furnas



Floor -1



<b>m<sup>2</sup></b>	2000	<b>Characteristics</b>	
<b>m</b>	41 × 24,4 + 41 × 24,4		Composed by two identical rooms
<b>m</b>	2,2 – 4		Stone arcades
<b>m</b>	Granite		Possibility of total blackout
<b>Lighting</b>	—	Track lighting, white fluorescent light	
<b>Other</b>	—	Room for catering support	
<b>Acoustic</b>	—	Goods lift	
<b>Power</b>	—	Electric power: see plan	
<b>Water</b>	1320		
<b>Other</b>	2500		



**⊘** It is forbidden to apply adhesive or any other fixing system that damages the floor. Please, use paper tape before any other type of tape.

It is forbidden to stick any kind of object on the walls or columns.

**!** The maximum capacities of the rooms have been calculated with the greatest use of space in mind, so they may vary depending on the layout chosen.

The suspension of infrastructures, such as truss, lighting, projection, sound systems, and others must always be pre-approved by the Congress Centre.

The facilities must be handed over in the same conditions as before.