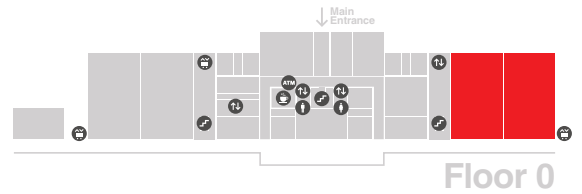
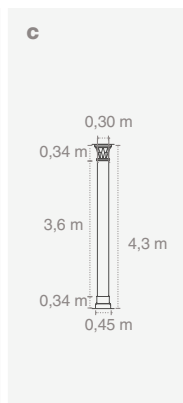
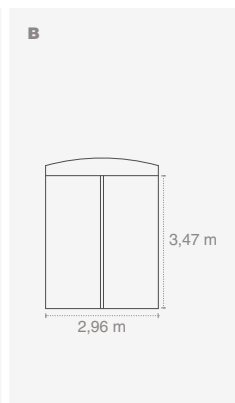
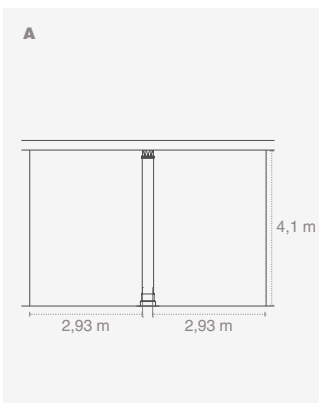
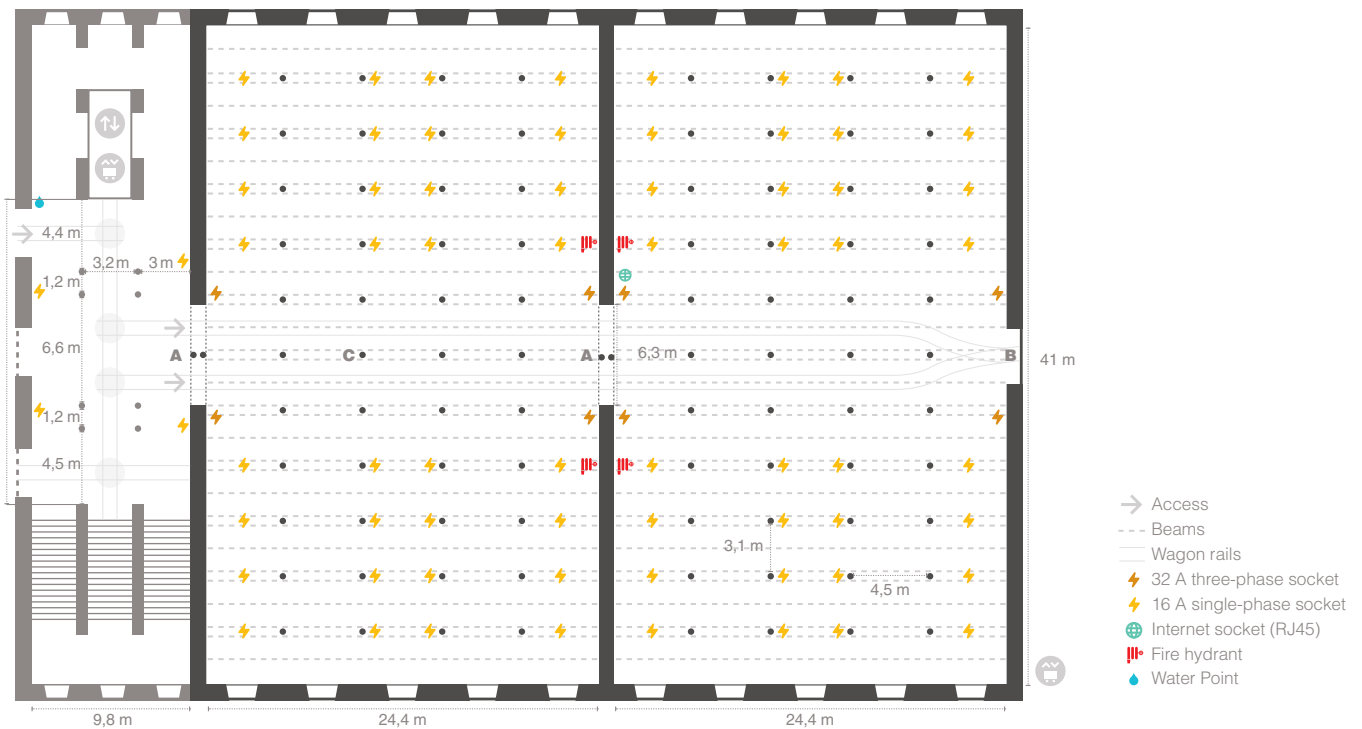


East Ground Floor



m²	2000	Characteristics
m	41 × 24,4 + 41 × 24,4	
m	4,30	
	Epoxy	
	—	
	—	Composed by two identical rooms
	—	Iron columns
	—	Possibility of total blackout
	—	Possibility of entrance of almost kind of vehicles (cars, boats, trucks, etc.)
	—	Good access
	—	Electric power: see plan
	—	Internet: Wireless and 3 fixed access points (see plan)
	2016	
	2500	



⊘ It is forbidden to apply adhesive or any other fixing system that damages the floor. Please, use paper tape before any other type of tape.

It is forbidden to stick any kind of object on the walls, columns or beams.

! The maximum capacities of the rooms have been calculated with the greatest use of space in mind, so they may vary depending on the layout chosen.

The suspension of infrastructures, such as truss, lighting, projection, sound systems, and others must always be pre-approved by the Congress Centre.

Be careful when passing heavy materials (pallet trucks, lifting platforms, etc.) over floor boxes.

The facilities must be handed over in the same conditions as before.